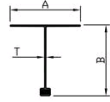


NATIONAL INDUSTRIES

12456

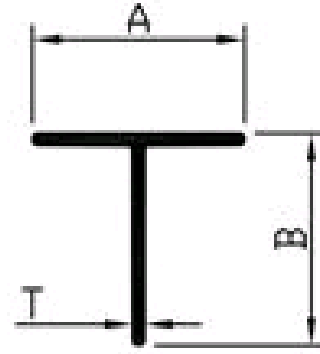
BULB TEE



SEC.No.	A	B	T	Wt.(kg/Mtr.)	Wt.(kg/12')
12456	24.00	24.00	0.55	0.91	0.330-0.450

TEE

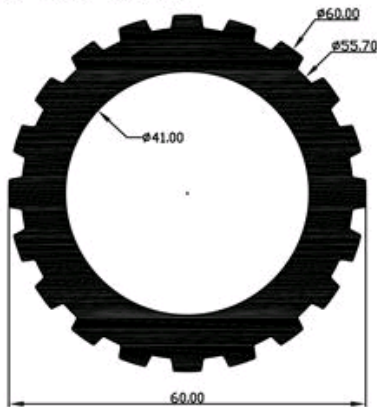
12466



TEE

12751

SEC. NO:-12751

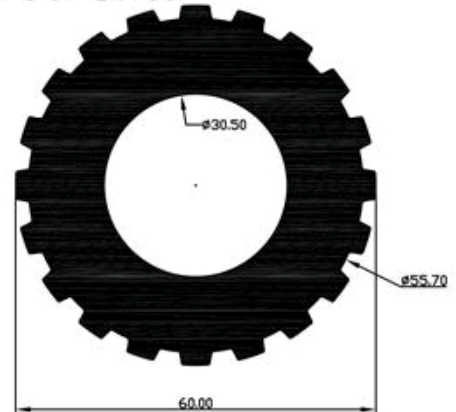


WEIGHT:- 13.100 kg/12'

TEXTILE

12756

SEC. NO:-12756



WEIGHT:- 19.000 kg/12'

TEXTILE

NATIONAL INDUSTRIES

12761

SEC. NO:-12761

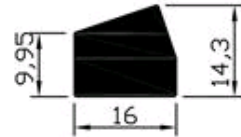


WEIGHT:- 1.500-1.800 kg/12'

TEXTILE

12766

SEC. NO:-12766

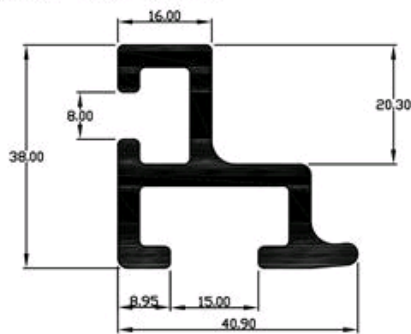


WEIGHT:- 1.175-1.275 kg/12'

TEXTILE

12771

SEC. NO:-12771

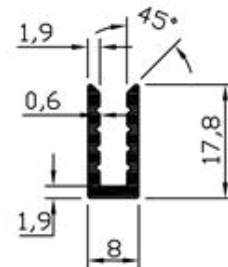


WEIGHT:- 4.400-4.700 kg/12'

TEXTILE

12781

SEC. NO:-12781



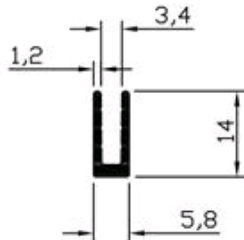
WEIGHT:- 0.675-0.750 kg/12'

TEXTILE

NATIONAL INDUSTRIES

12786

SEC. NO:-12786

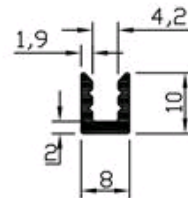


WEIGHT:- 0.400-0.450 kg/12'

TEXTILE

12791

SEC. NO:-12791

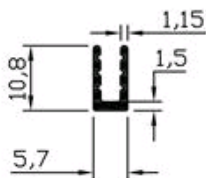


WEIGHT:- 0.450-0.500 kg/12'

TEXTILE

12796

SEC. NO:-12796

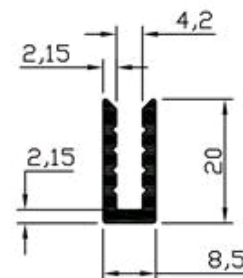


WEIGHT:- 0.300-0.350 kg/12'

TEXTILE

12801

SEC. NO:-12801



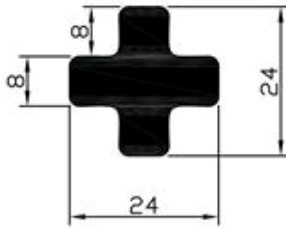
WEIGHT:- 0.875-0.950 kg/12'

TEXTILE

NATIONAL INDUSTRIES

12811

SEC. NO:-12811



WEIGHT:- 0.200-0.400 kg/12'

TEXTILE

12816

SEC. NO:-12816

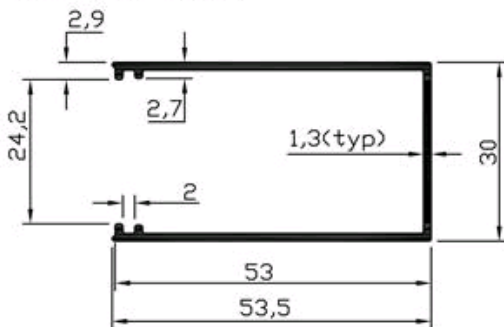


WEIGHT:- 5.500 kg/12'

TEXTILE

12821

SEC. NO:-12821



WEIGHT:- 1.800-1.900 kg/12'

TEXTILE

12826

SEC. NO:-12826



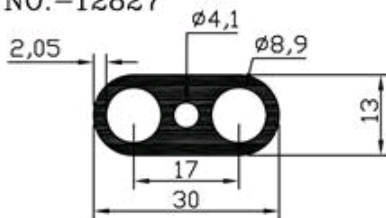
WEIGHT:- 2.425-2.500 kg/12'

TEXTILE

NATIONAL INDUSTRIES

12827

SEC. NO:-12827

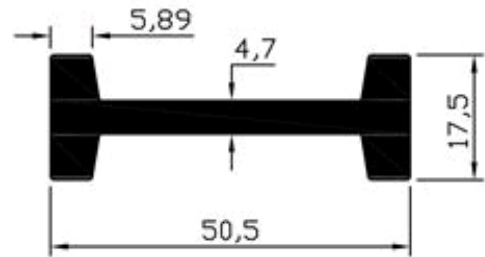


WEIGHT:- 2.100-2.300 kg/12'

TEXTILE

12841

SEC. NO:-12841

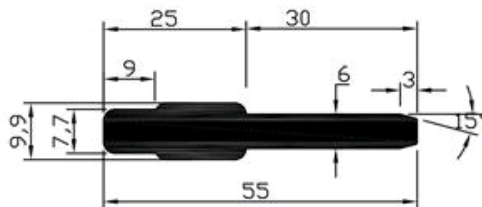


WEIGHT:- 3.950-4.100 kg/12'

TEXTILE

12844

SEC. NO:-12844

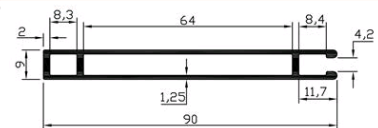


WEIGHT:- 3.955 kg/12'

TEXTILE

12846

SEC. NO:-12846



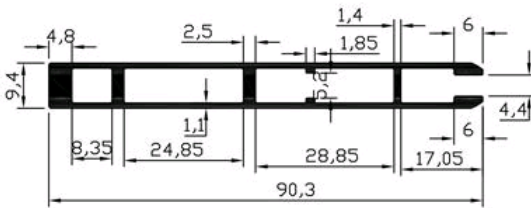
WEIGHT:- 2.650-2.850 kg/12'

TEXTILE

NATIONAL INDUSTRIES

12851

SEC. NO:-12851

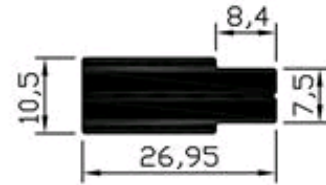


WEIGHT:- 2.936 kg/12'

TEXTILE

12856

SEC. NO:-12856

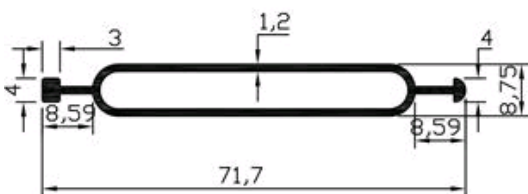


WEIGHT:- 2.500-2.700 kg/12'

TEXTILE

12862

SEC. NO:-12862

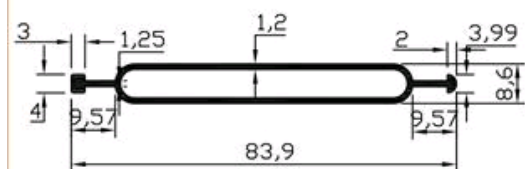


WEIGHT:- 1.690-1.990 kg/12'

TEXTILE

12863

SEC. NO:-12863



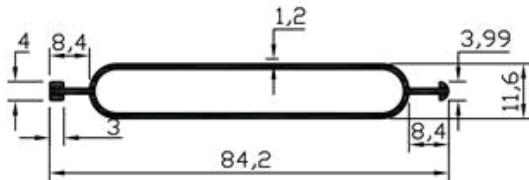
WEIGHT:- 1.960-2.260 kg/12'

TEXTILE

NATIONAL INDUSTRIES

12864

SEC. NO:-12864

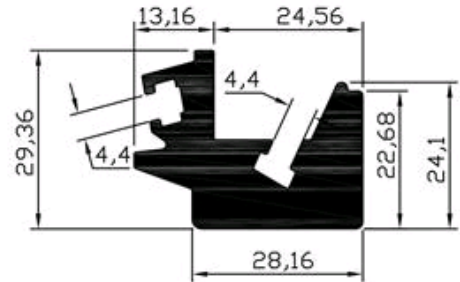


WEIGHT:- 2.250-2.350 kg/12'

TEXTILE

12881

SEC. NO:- 12881

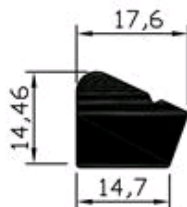


WEIGHT:- 9.000-9.600 kg/12'

TEXTILE

12886

SEC. NO:- 12886

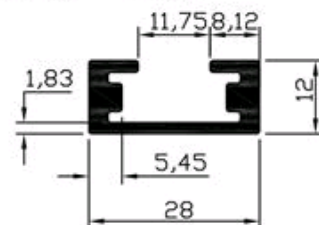


WEIGHT:- 2.000-2.200 kg/12'

TEXTILE

12891

SEC. NO:- 12891



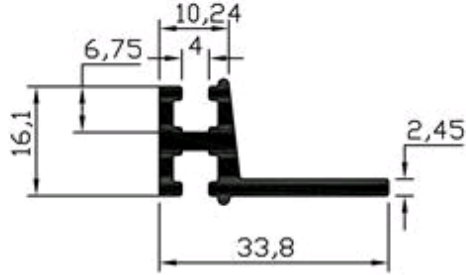
WEIGHT:- 1.500-1.650 kg/12'

TEXTILE

NATIONAL INDUSTRIES

12896

SEC. NO:- 12896

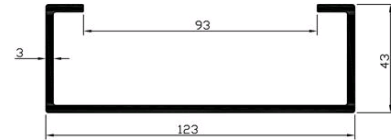


WEIGHT:- 1.600-1.750 kg/12'

TEXTILE

12901

SEC. NO:-12901

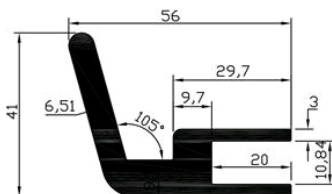


WEIGHT:- 6.700-7.100kg/12'

TEXTILE

12906

SEC. NO:- 12906

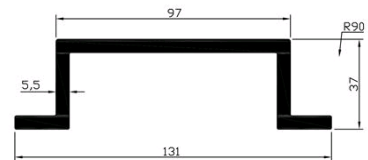


WEIGHT:- 6.350-6.700kg/12'

TEXTILE

12911

SEC. NO:-12911



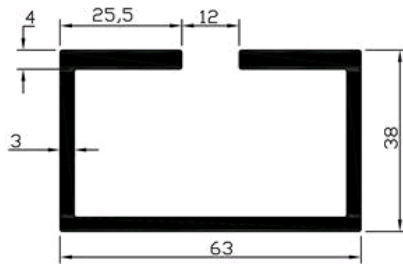
WEIGHT:- 10.500-11.000 kg/12'

TEXTILE

NATIONAL INDUSTRIES

12916

SEC. NO:- 12916

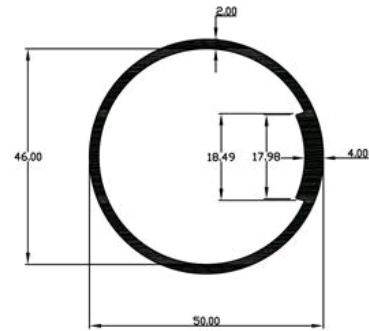


WEIGHT:- 5.700-5.800 kg/12'

TEXTILE

12921

SEC. NO:- 12921



WEIGHT:- 3.350 kg/12'

TEXTILE

12926

SEC. NO:-12926

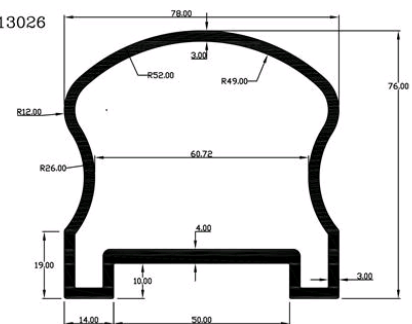


WEIGHT:- 28.568 kg/12'

TEXTILE

13026

SEC. NO:-13026



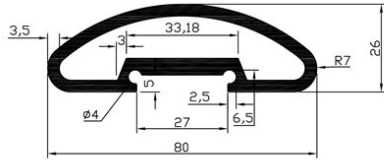
WEIGHT:- 9.300 kg/12'

LADDER

NATIONAL INDUSTRIES

13036

SEC. NO:--13036

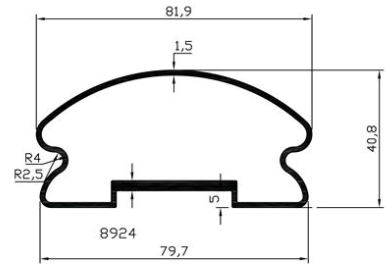


WEIGHT:- 3.000-3.300 kg/12'

LADDER

13041

SEC. NO:--13041

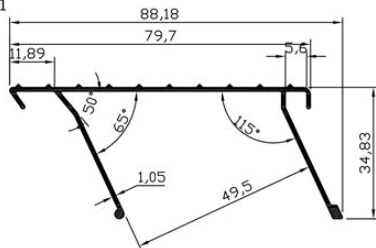


WEIGHT:- 3.020 kg/12'

LADDER

13121

SEC. NO:--13121

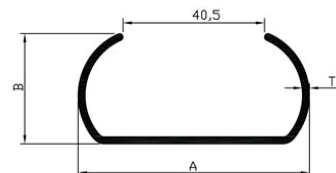


WEIGHT:- 1.850-2.050 kg/12'

LADDER

13176

LADDER SECTION



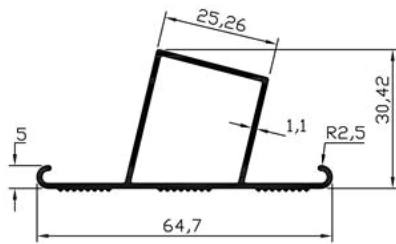
SEC.No.	A	B	T	Wt.(kg/Mtr.)	Wt.(kg/12')
13176	66.20	31.50	2.0	0.675	2.450-2.650

LADDER

NATIONAL INDUSTRIES

13186

SEC. NO:-13186

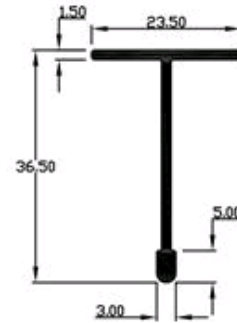


WEIGHT:- 1.750-1.850 kg/12'

LADDER

13671

SEC. NO:-13671

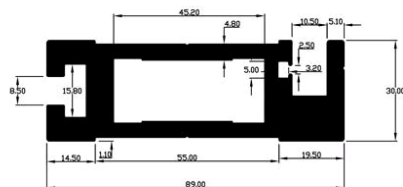


WEIGHT:- 0.900-1.200 kg/12'

TEE

14606

SEC. NO:-14606

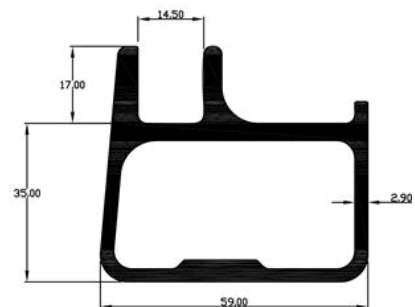


WEIGHT:- 13.500 kg/12'

TEXTILE

14666

SEC. NO:-14666



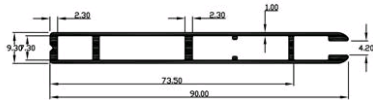
WEIGHT:- 7.650 kg/12'

TEXTILE

NATIONAL INDUSTRIES

14946

SEC. NO:-14946

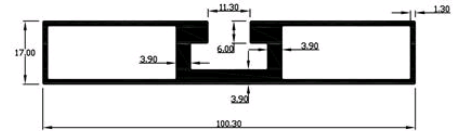


WEIGHT:- 2.500 kg/12'

TEXTILE

15031

SEC. NO:-15031

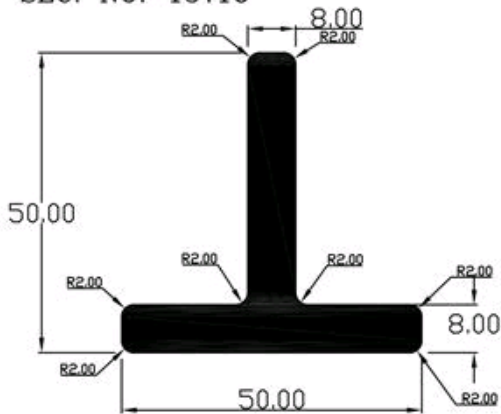


WEIGHT:- 4.880 kg/12'

TEXTILE

15716

SEC. NO:-15716

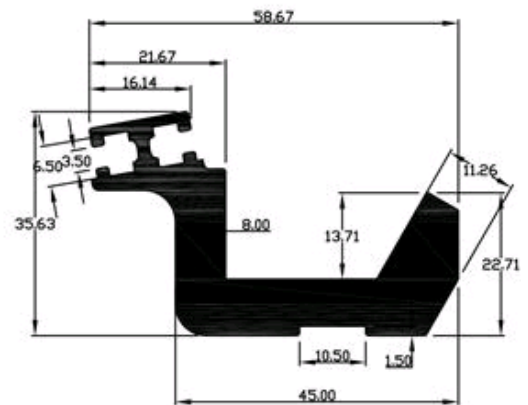


WEIGHT:- 7.239 kg/12'

TEE

15841

SEC. NO:-15841



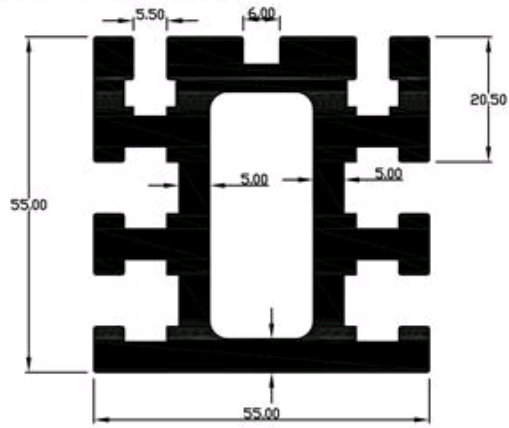
WEIGHT:- 7.142 kg/12'

TEXTILE

NATIONAL INDUSTRIES

15846

SEC. NO:-15846

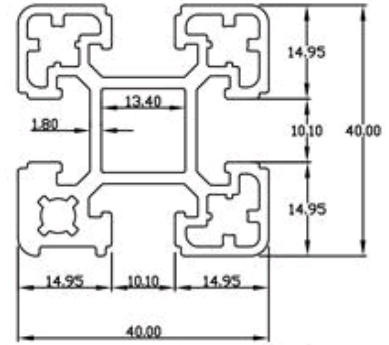


WEIGHT:- 15.121 kg/12'

TEXTILE

16004

SEC. NO:-16004



WEIGHT:- 5.208 kg/12'

TEXTILE